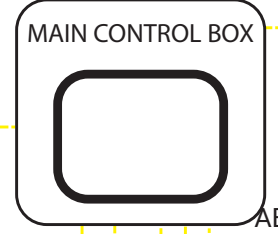


MAIN CONTROL BOX

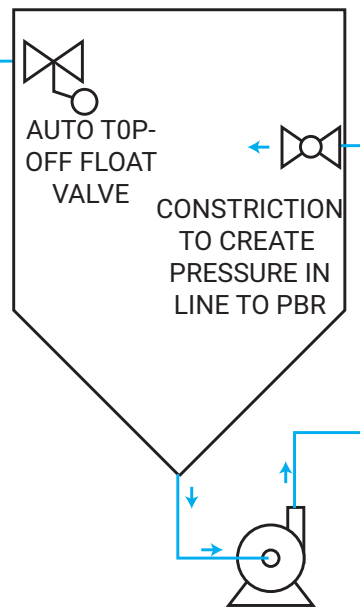
MONITORS TEMPERATURE, VOLUME, DENSITY AND pH. RESPONSIBLE FOR:

- CLOSED-LOOP pH CONTROL
- LIGHT INTENSITY
- NUTRIENT DOSING
- SEMI-CONTINUOUS AND BATCH WATER-FLOW



CUSTOMER WATER SUPPLY (1/2" FEMALE NPT BALL VALVE)

HEADER TANK



0.5µm FILTER (STRING-WOUND, DOE)

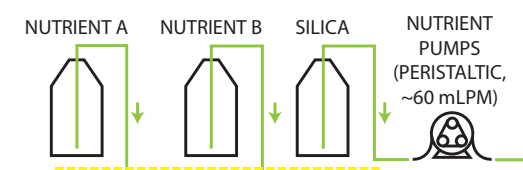
CONTINUOUS FLOW CULTURE

SET CONTINUOUS FLOW RATE USING NEEDLE VALVE. ONCE TANK IS FULL IT WILL OVERFLOW TO HARVEST. NUTRIENTS SHOULD BE SET TO mL/hr TO ADD HOURLY FOR CONTINUOUS.

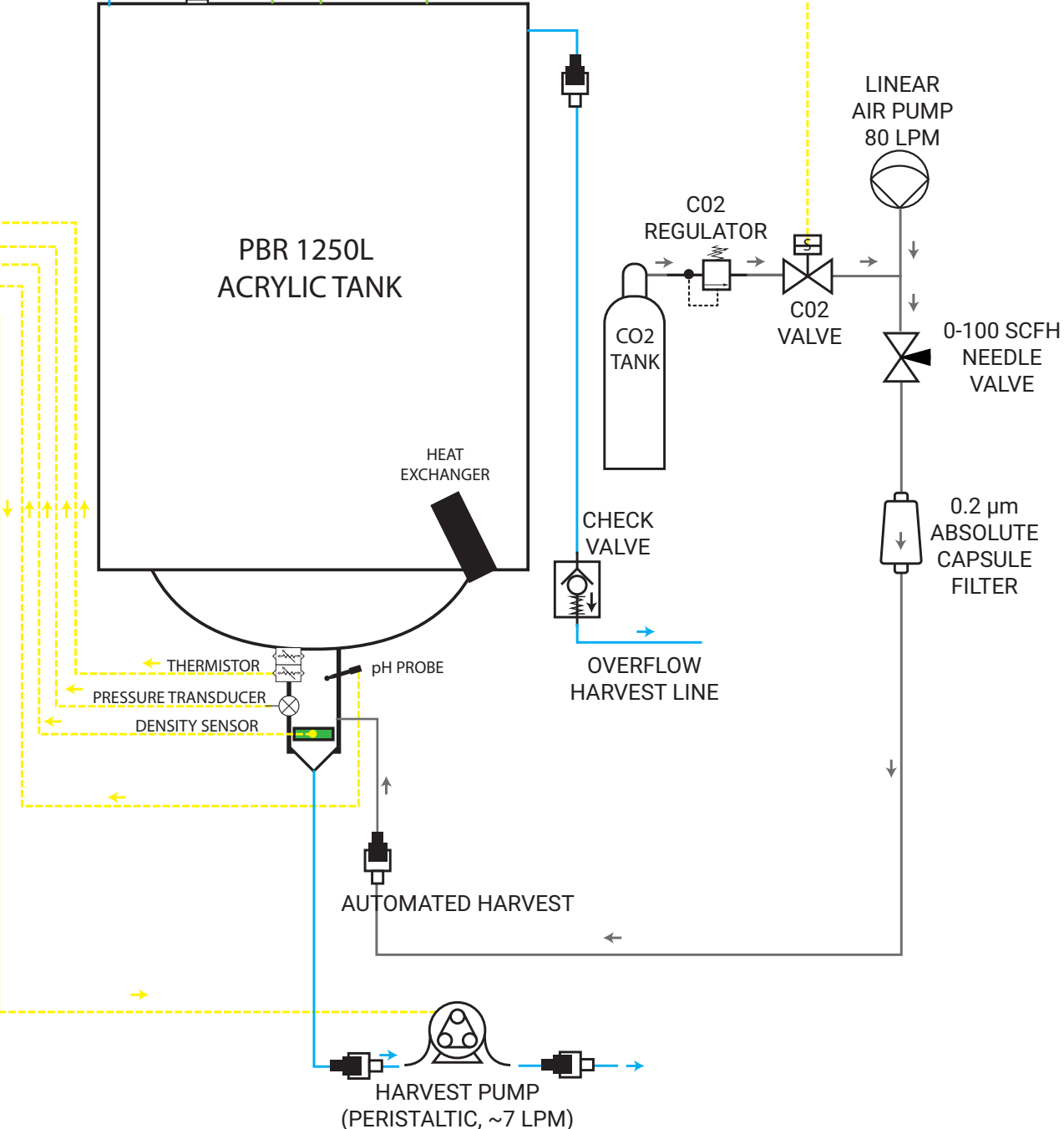
TO DISABLE:
CLOSE NEEDLE VALVE & SET NUTRIENT PER HOUR TO 0.00 mL/hr.

NEEDLE VALVE

ABSOLUTE 0.2µm FILTER (DOUBLE O-RING, SOE)



PBR 1250L ACRYLIC TANK



LEGEND

- FEMALE STERILE SHUT-OFF QUICK DISCONNECT (FEMALE QDC)
- MALE STERILE SHUT-OFF QUICK DISCONNECT (MALE QDC)
- AIR & CO2 LINE
- FRESH-WATER CHILLER LINE
- ALGAE OR WATER LINE
- NUTRIENT LINE
- MAIN CONTROL BOX ELECTRICAL LINE
- TEMPERATURE PROBE LINE (CHILLER)